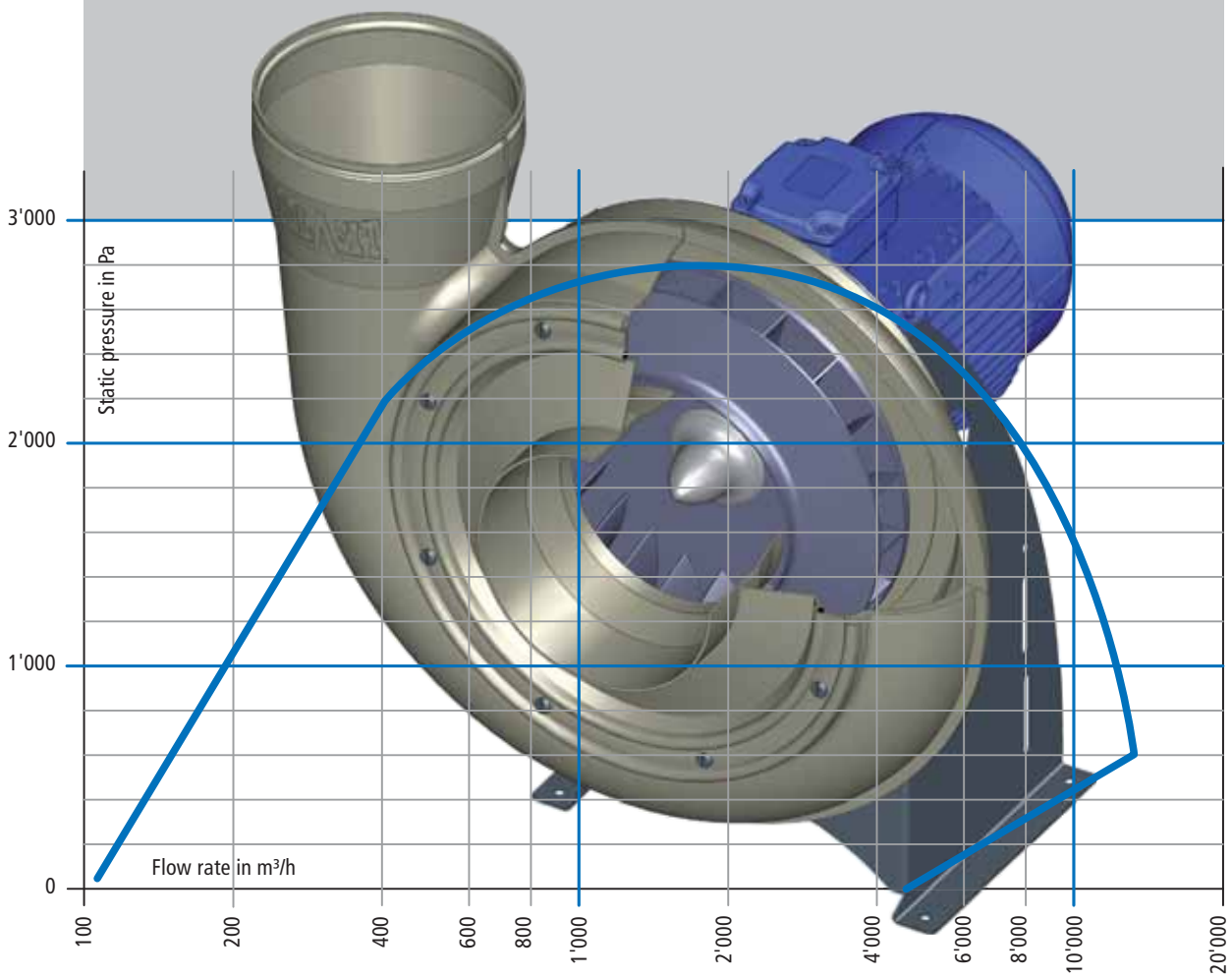


FANS

## CMVeco 125 - 400



Medium pressure  
radial fan in plastic  
Direct- or V-belt drive



[www.colasit.com](http://www.colasit.com)

**Performance**

Flow rate: min. 150m<sup>3</sup>/h to max. 13'500 m<sup>3</sup>/h  
 Static pressure: min. 50 Pa to max. 3'000 Pa  
 Efficiency: max. 75 %  
 Inlet / Outlet-Ø: 125, 160, 200, 250, 315, 400 mm

**Housing**

- Self-supporting design
- Thermoformed (Twin-Sheet)
- Available in: PPs, PPs white, PPs-el, PE, PVC, PVDF
- 6 different outlet positions

**Impeller**

- Injection-molded
- 20 forward-curved streamlined blades
- Torque transmission achieved by aluminium hub, covered with plastic
- Adaptor for easy impeller mounting
- Available in: PPs, PPs-el, PVDF

**Support**

- Direct and V-belt drive:
- Sturdy sheet-metal construction
  - Available also in stainless steel

**Drive**

- Direct drive: - Impeller is mounted directly onto the motor shaft
- V-belt drive: - Power transmission by v-belt  
 - Simple tensioning system for easy adjustment or replacement of belts
- Motor: - Three phase motor  
 - One / multi-stage  
 - Flange mounting motor for direct drive or foot mounting motor for v-belt drive

**EX-Protection**



Construction in ATEX. Available in zone 1 + 2

**Hub Seal**

- Standard hub seals
- V-Ring-seals
- Back plates

**Accessories**

- PVC sleeve with fixing bands, stainless
- Drain
- Vibration absorber for ground erection or ceiling suspension
- Connection piece
- Ceiling or wall bracket
- Splinter protection
- Motor and v-belt cover also for outside installation
- Frequency converter IP 66 / IP 54 / IP 20

**Dimensions**

