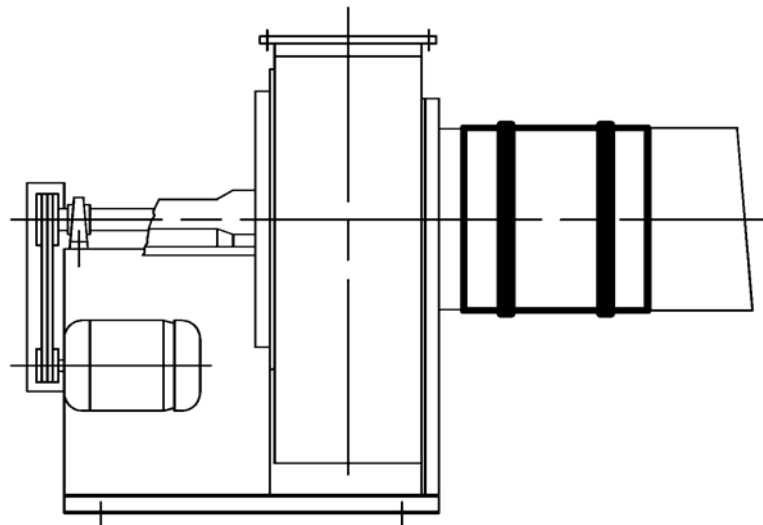
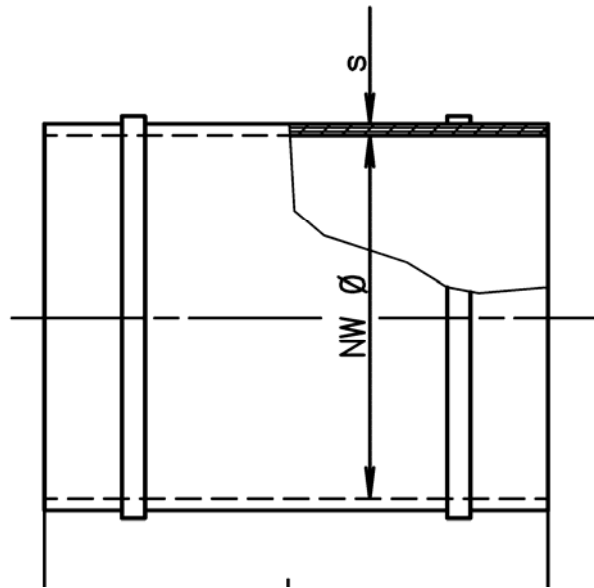
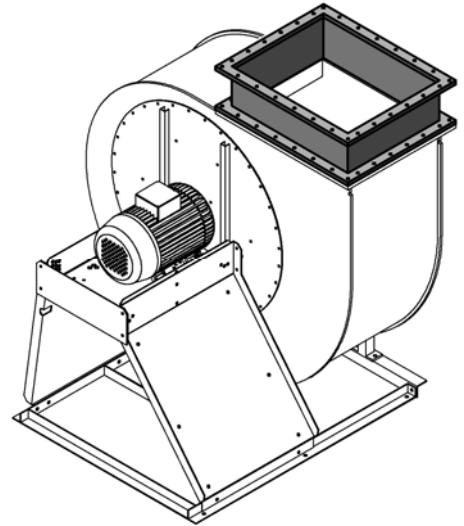
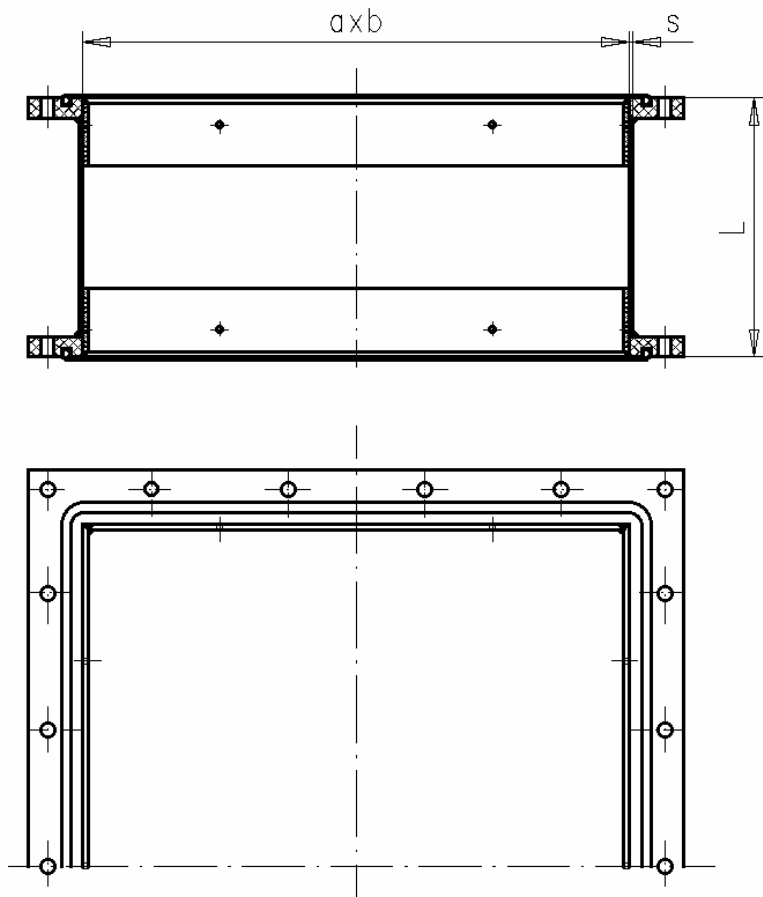


Sleeve PVC round with fixing bands, stainless


NW Ø	L	s
450-500	160	3
560-710	200	3
800-1250	250	3

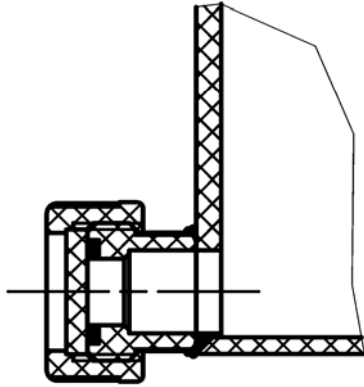
Sleeve rectangular with flanges on both sides (PVC)



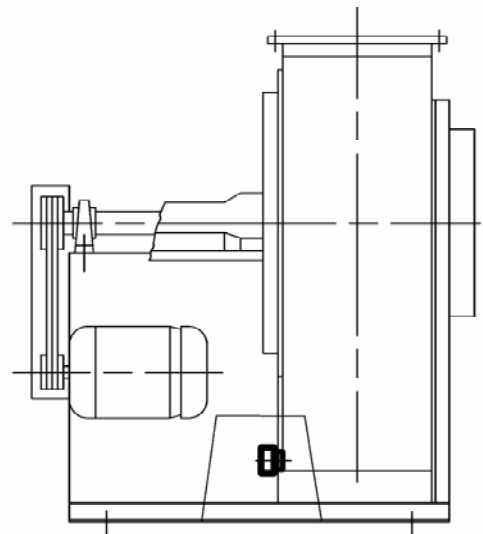
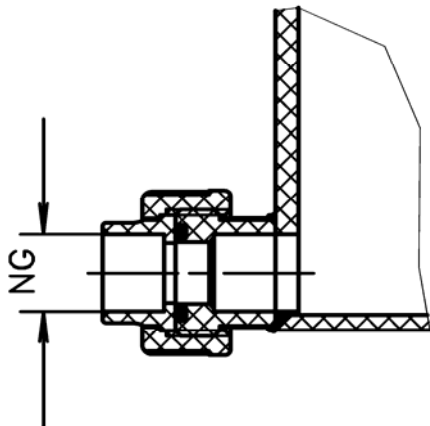
Fan Type CMHV	Measurements		
	a x b	L	S
450	450 x 355	190	3
500	500 x 400	190	3
560	560 x 450	240	3
630	630 x 500	240	3
710	710 x 560	240	3
800	800 x 630	290	3
900	900 x 710	290	3
1000	1000 x 800	290	3
1120	1120 x 900	290	3
1250	1250 x 1000	290	3

Drain

TYP K

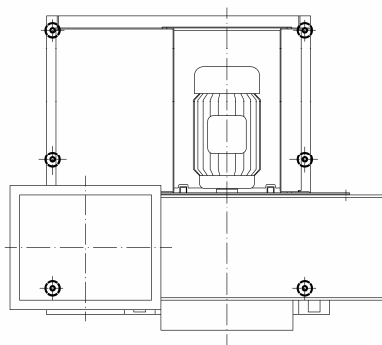
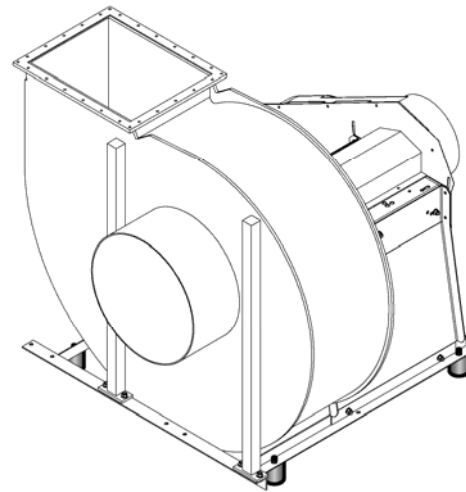
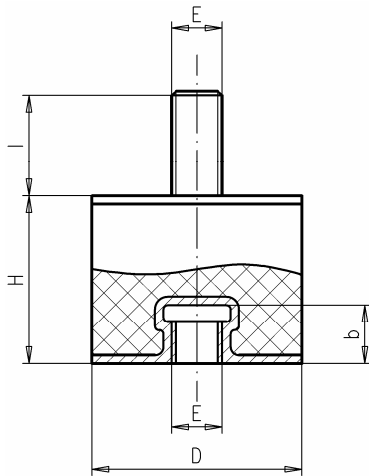


TYP V

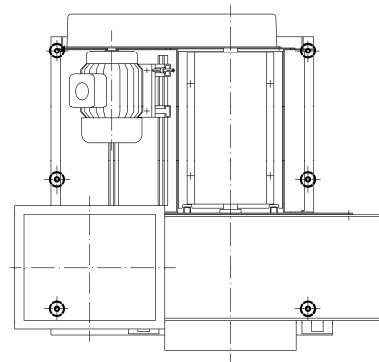


Fan Type	with cap	with fitting	NG
CMHV 450-1250	Typ K	Typ V	25

Vibration absorbers



Direct drive

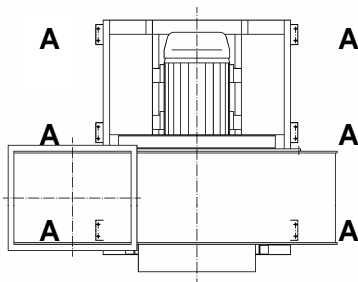
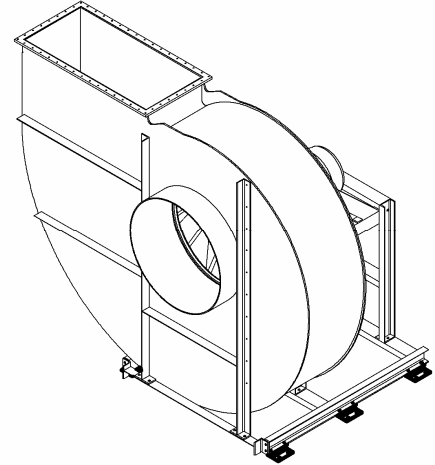
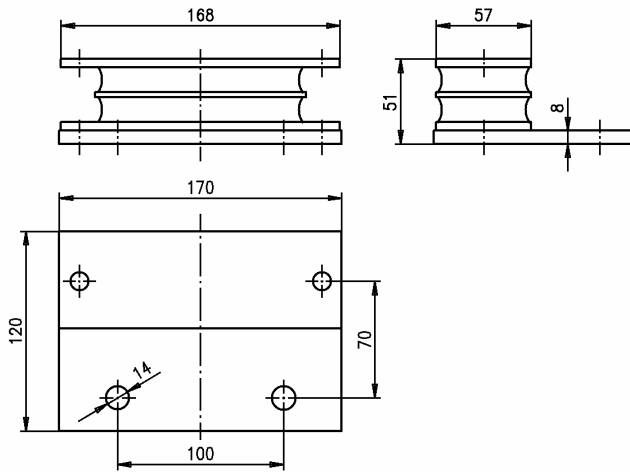


V-belt drive

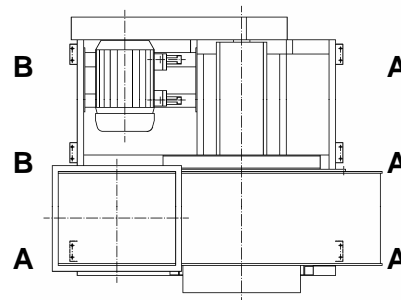
Vibration absorbers Type	Measurements				
	D	H	E	I	b
V 8/40	40	40	M8	23	7
V 8/50	50	40	M10	25	10

Fan Type CMHV		Type	Number of elements
Direct	V-belt drive		
450-560	450,500	V 8/40	4
630	560,630	V 8/50	4
710,800	710,800	V 8/50	6

Vibration absorbers



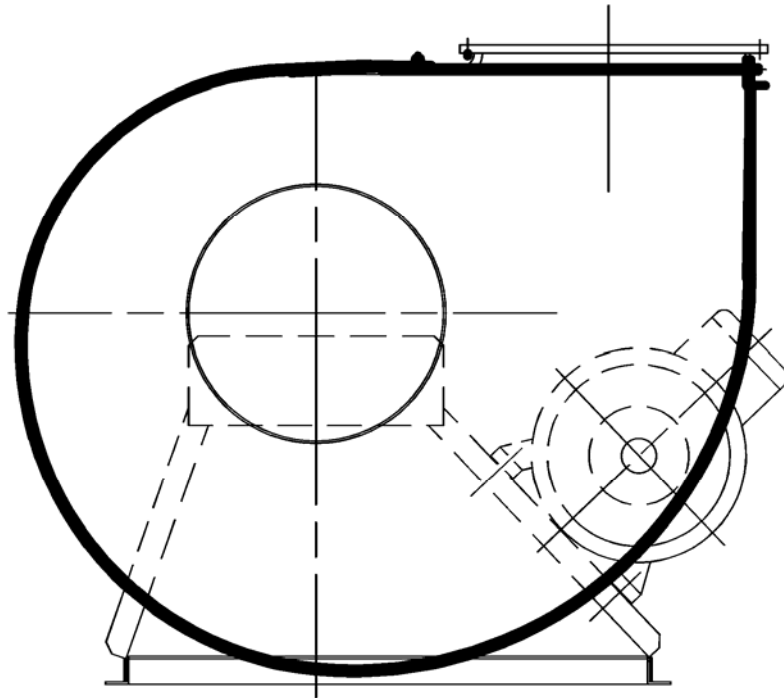
Direct drive

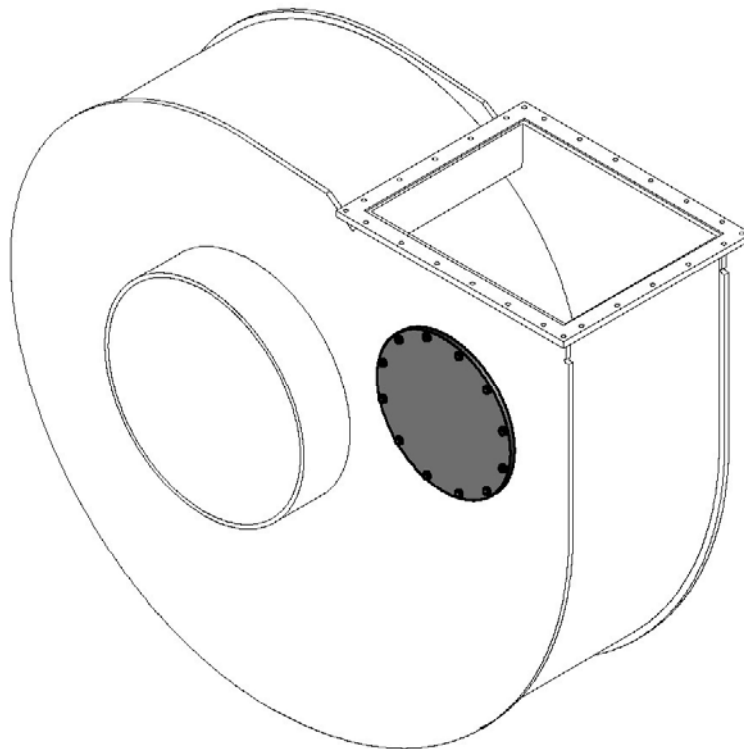


V-belt drive

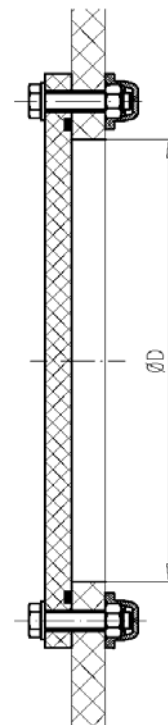
Fan Type CMHV	Motor-weight kg	Number of elements					
		Direct drive		V-belt drive			
		Position A 45°Sh	Position A 45°Sh	Position B 45°Sh	Position B 55°Sh	Position B 65°Sh	Position B 70°Sh
900	< 300	6	4	2			
	300-450	6	4		2		
	450-550	6	4			2	
1000	< 300	6	4	2			
	300-550	6	4		2		
	550-800	6	4			2	
1120	< 300	6	4	2			
	300-550	6	4		2		
	550-800	6	4			2	
1250	< 300	6	4	2			
	330-550	6	4		2		
	550-800	6	4			2	
	800-1000	6	4				2

Splinter protection

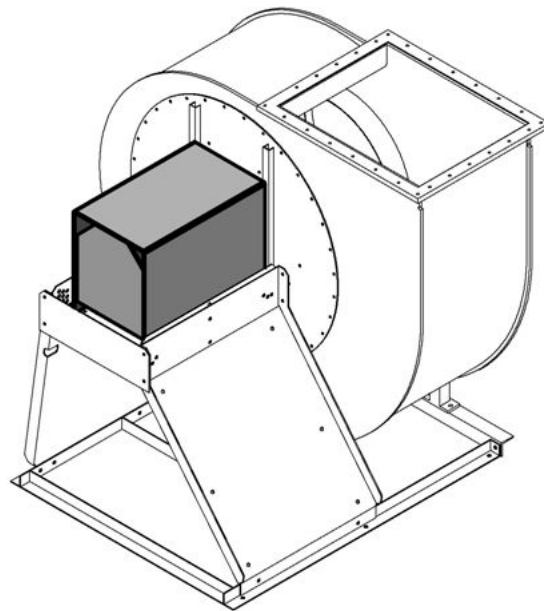


Inspection hole

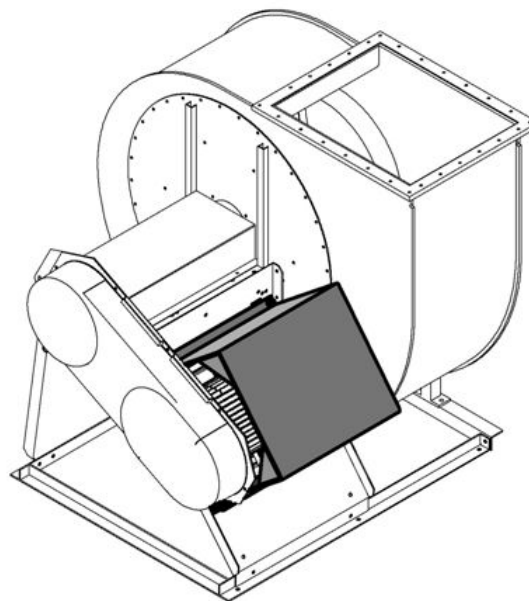
Fan Type	Ø D
CMHV 450-560	200
CMHV 630-1250	315



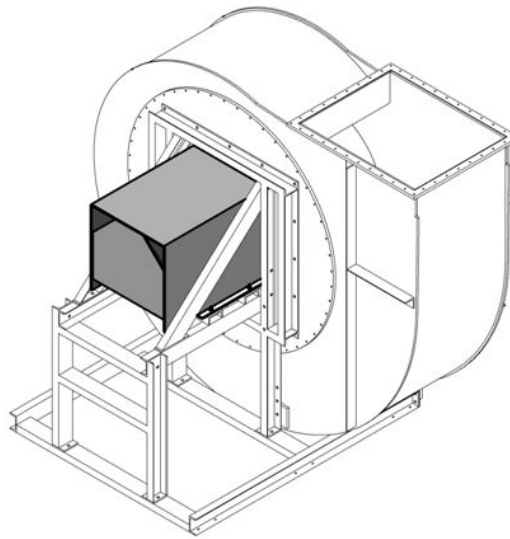
Motor cover direct drive



Motor cover v-belt drive



Motor cover direct drive



Motor cover v-belt drive

